

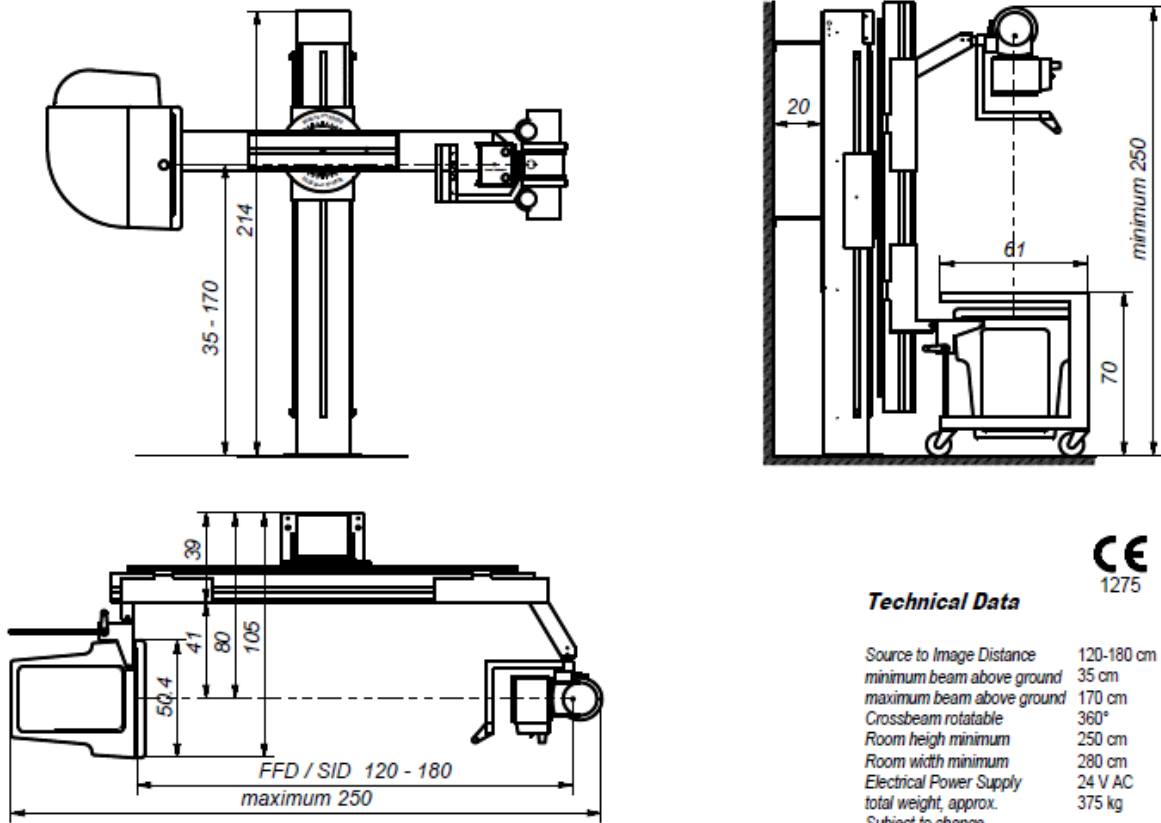
IMIX DR*express*

An affordable, high quality digital radiography system.



This entry level system has a seamless upgrade path to more fully featured, automated and scalable solutions.

DIMENSIONS



Technical Data

Source to Image Distance	120-180 cm
minimum beam above ground	35 cm
maximum beam above ground	170 cm
Crossbeam rotatable	360°
Room height minimum	250 cm
Room width minimum	280 cm
Electrical Power Supply	24 V AC
total weight, approx.	375 kg
<i>Subject to change</i>	

SPECIFICATIONS

Counter-Balanced Stand Movement:	SID, Elevation, Arm Rotation and Bucky Rotation
IMIXhorizon™ Focus Series Detector:	High resolution 9 MP CCD detector 17" by 17" image area 16-bit image acquisition > 3.1 lp/mm spatial resolution 60 line/cm, 140 cm focus grid
Image Acquisition and Workstation:	Full resolution image review within 7 sec of exposure Windows based image review tools Local storage for more than 1000 images DICOM 3.0 compliant
Generator:	32 kW
X-Ray Tube & Collimator:	0.6/1.2 mm focal spot 200 kHu high capacity tube Multi-blade shutter, manual collimation

Specifications subject to change without notice.



IMIX Americas

22560 Glenn Drive, Suite 116, Sterling, VA 20164
Phone (703) 430-3111 Fax (703) 430-8808
www.imixadr.com